

IEC Appliance Connector C14 with Fuseholder 1- or 2-pole

Plug removal necessary for fuse replacement



KEA-Print



KEA-Print

C14



70° C

**Description**

- Panel Mount:
Screw-on version from front or rear side, snap-in version from front side
- 2 Functions:
Appliance inlet Protection class I, Fuseholder for fuse-links
5 x 20 mm 1- or 2-pole
- For PCB mounting

Approvals

- VDE License Number: 40012272

Characteristics

- All single elements are already wired
- Plug removal necessary for fuse-link replacement
The fuse drawer "Fingergrip" can be removed by hand
For added safety "Extra-Safe" fuse drawers are available
Fuse drawer meets requirements of medical standard IEC/EN 60601-1
The fuseholder is accessible from the equipment front
- Qualified for use in equipment according IEC/EN 60950

Other versions on request

- With solder terminals
- Fuse drawer with other voltage values
- For protection class II

Weblinks

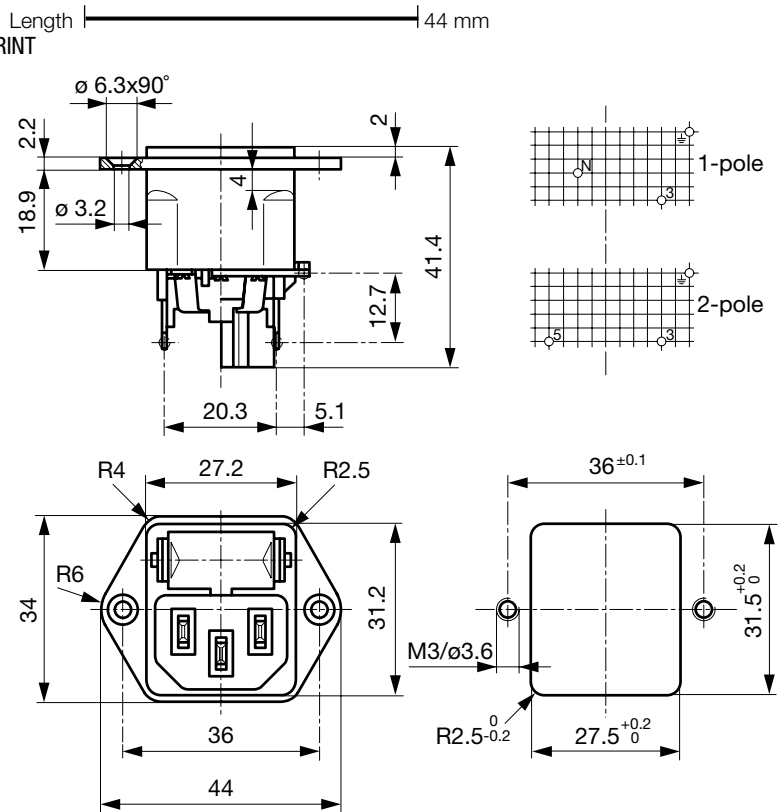
[Approvals](#), [RoHS](#), [CHINA-RoHS](#), [e-Store](#), [SCHURTER-Stock-Check](#), [Distributor-Stock-Check](#)

Technical Data

Ratings IEC	10A / 250VAC; 50Hz	Appliance-Inlet/-Outlet	C14 acc. to IEC/EN 60320-1, UL 498, CSA C22.2 no. 42 (for cold conditions) pin-temperature 70 °C, 10A, Protection class I
Ratings UL/CSA	10A / 250VAC; 60Hz	Fuseholder	1 or 2 pole, Shocksafe category PC2 acc. to IEC 60127-6, for fuse-links 5 x 20mm
Dielectric Strength	> 3 kVAC between L-N > 4 kVAC between L/N-PE (1 min/50Hz)	Rated Power Acceptance @ Ta 23 °C	5 x 20: 2W (1 pole)/ 1.6W (2-pole) per pole
Allowable Operation Temp.	-25 °C to 70 °C	Power Acceptance @ Ta > 23 °C	Admissible power acceptance at higher ambient temperature see derating curves
Degree of Protection	from front side IP 40 acc. to IEC 60529		
Protection Class	Suitable for appliances with protection class I acc. to IEC 61140		
Terminal	For PCB 1,6 mm		
Panel Thickness s	Screw-on: max 8 mm Mounting screw torque max 0.5 Nm Snap-in: 1.5/ 2/ 2.5 mm		
Material: Housing	Thermoplastic, black, UL 94V-0		

Dimensions

Screw-on mounting type KEA-PRINT

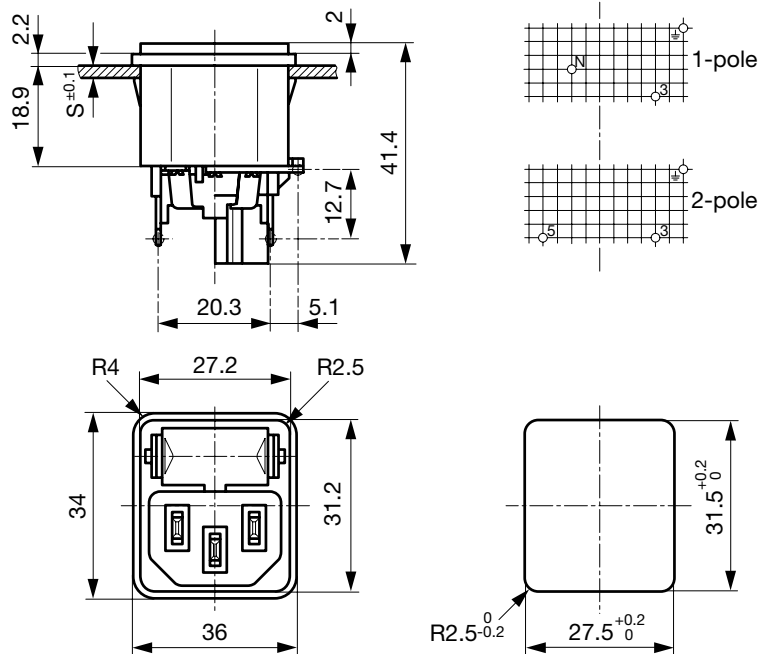


Template grid 1/10" = 2.54 mm

Drill. \varnothing : 3/5/N = $\varnothing 1.3 + 0,1/0$

Gnd = $\varnothing 1.6 + 0,1/0$

Snap-in mounting type KEA-PRINT



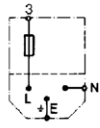
Template grid 1/10" = 2.54 mm

Drill \varnothing : 3/5/N = $\varnothing 1.3 + 0,1/0$

Gnd = $\varnothing 1.6 + 0,1/0$

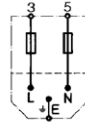
Diagrams

with internal connections
1-pole



(KEA-Print)

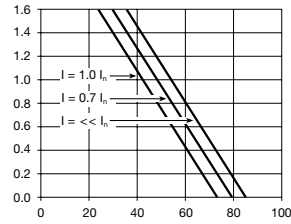
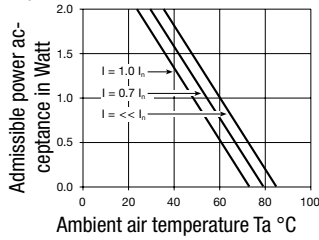
with internal connections
2-pole



(KEA-Print)

Derating Curves for Fuseholders

1-pole



Variants

[Distributor-Stock-Check](#) | [SCHURTER-Stock-Check](#) | [e-Store](#)

Fingerrip and Extra-Safe
internal connections, fuse drawer must be ordered separately

Type	Panel mounting	Panel Thickness s [mm]	Fuseholder	Voltage selector	internally wired	Order Number
KEA-Print	Screw-on	-	2-pole	without		4301.3201
KEA-Print	Snap-in	1.5	2-pole	without		4301.3202
KEA-Print	Snap-in	2	2-pole	without		4301.3203
KEA-Print	Snap-in	2.5	2-pole	without		4301.3204
KEA-Print	Screw-on	-	1 pole	without		4301.3211
KEA-Print	Snap-in	1.5	1 pole	without		4301.3212
KEA-Print	Snap-in	2	1 pole	without		4301.3213
KEA-Print	Snap-in	2.5	1 pole	without		4301.3214

Packaging unit 50 Pcs

Required Accessory

Description

[Fusedrawer 2](#)
Fusedrawer with and without voltage selector insert



Fingerrip, 2-pole	4301.1401
Extra-Safe, 2-pole	4301.1403
Fingerrip, 1 pole	4301.1405
Extra-Safe, 1 pole	4301.1407
...	

Accessory



[Cord retaining kits](#)
Cord retaining strain relieve

Flat head, A	4700.0001
Countersunk, B	4700.0002